

Machine data:

Melitta® M 191 M

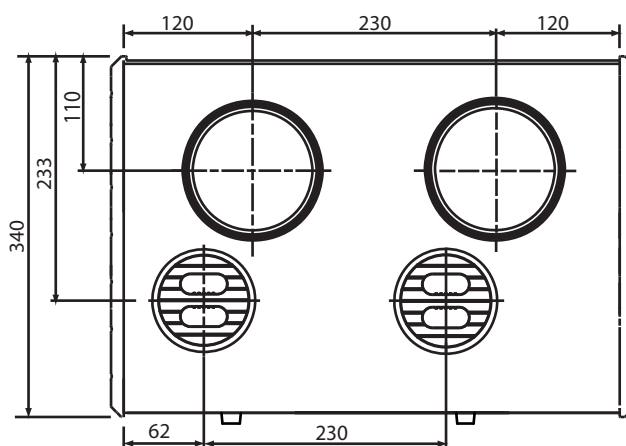
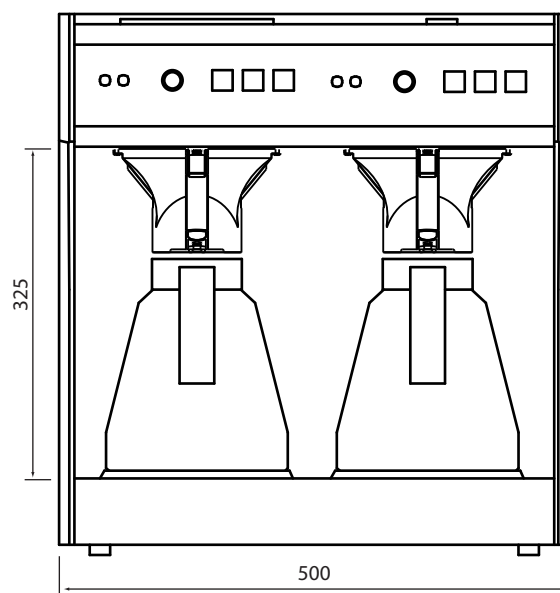
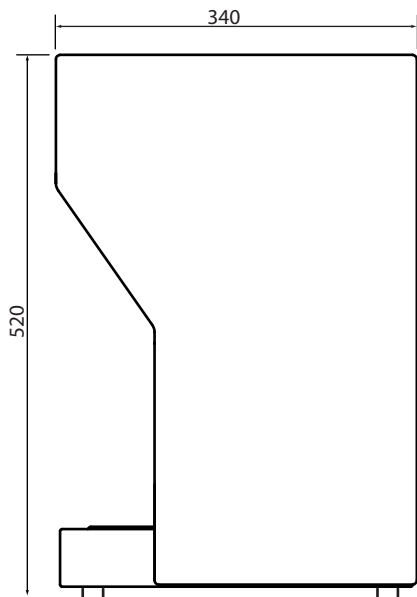
Order-No.: 16885
 Approx. cups of coffee per hour: 130
 Approx. cups of coffee per full brew: 16 / 7.5
 Power consumption in kW: 2.06
 Electric connection Volt / Ampère: 230 / 16
 Empty weight: 8.5
 Dimensions (WxDxH): 270 x 340 x 520 mm

Melitta® M 191 A

with automatic tap water feed
 Order-No.: 16886
 Approx. cups of coffee per hour: 130
 Approx. cups of coffee per full brew: 16 / 7.5
 Power consumption in kW: 2.06
 Electric connection Volt / Ampère: 230 / 16
 Empty weight: 10.5
 Dimensions (WxDxH): 270 x 340 x 520 mm

Please note: All dimensions are approximate!

			Date: 04.05.2010		Melitta® 191 M, M 191 A Dimension and data sheet
			Drawing no.:		
			Page: 1 of 1		
Ind.	Name	Date	Subject to alterations. Owned by Melitta SystemService. Duplication not allowed.		



Machine data:

Melitta® M 192 A1

Order-No.: 16887
 Approx. cups of coffee per hour: 200
 Approx. cups of coffee per full brew: 32 / 10
 Power consumption in kW: 3,06
 Electric connection Volt / Ampère: 230 / 16
 Empty weight: 17
 Dimensions (WxDxH): 500 x 340 x 520 mm

Melitta® M 192 A2

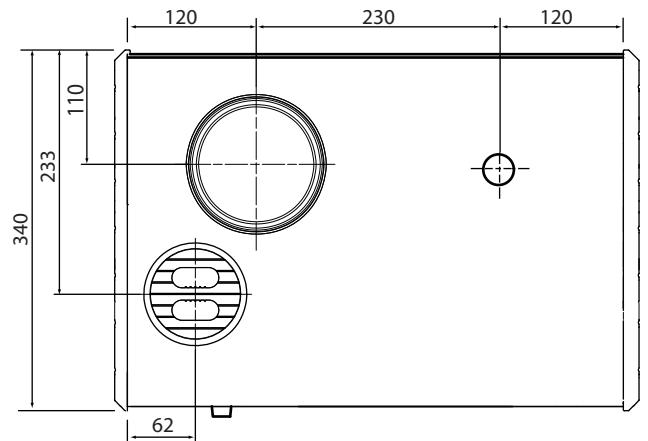
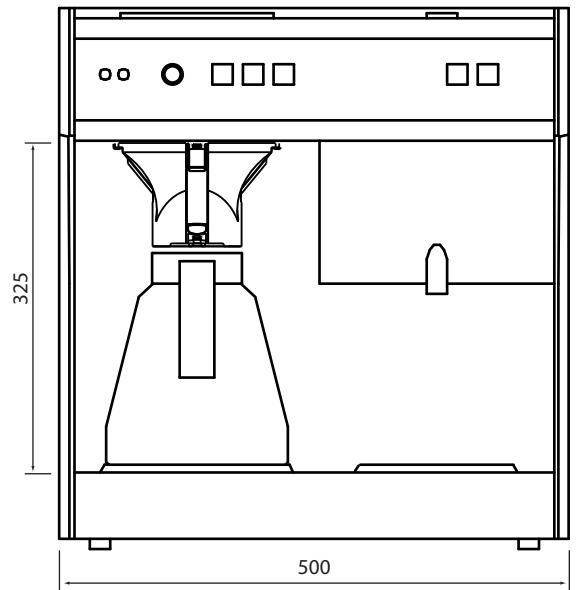
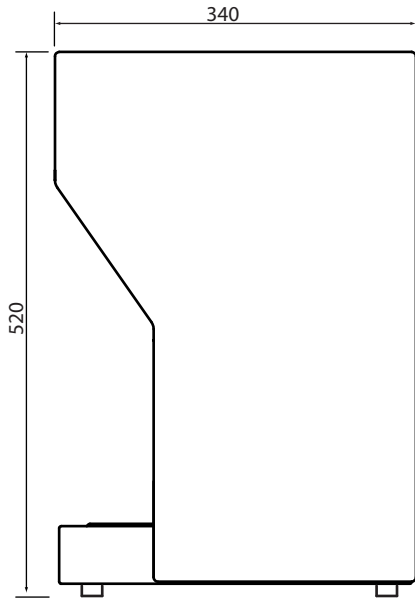
Order-No.: 16888
 Approx. cups of coffee per hour: 260
 Approx. cups of coffee per full brew: 32 / 7,5
 Power consumption in kW: 4,11
 Electric connection Volt / Ampère: 400 / 16
 Empty weight: 17
 Dimensions (WxDxH): 500 x 340 x 520 mm

Please note: All dimensions are approximate!

			Date: 10.12.2011
			Drawing no.:
			Page: 1 of 1
			Subject to alterations. Owned by Melitta SystemService Duplication not allowed.
Ind.	Name	Date	



Melitta® 192 A1, 192 A2
 Dimension and data sheet



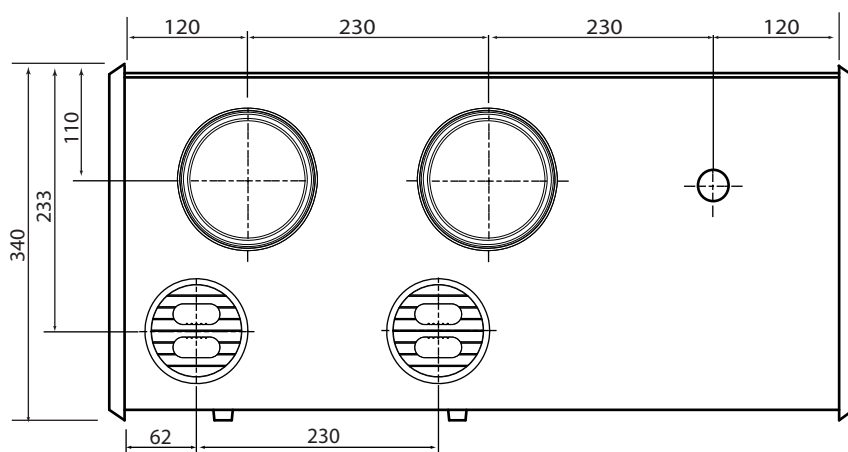
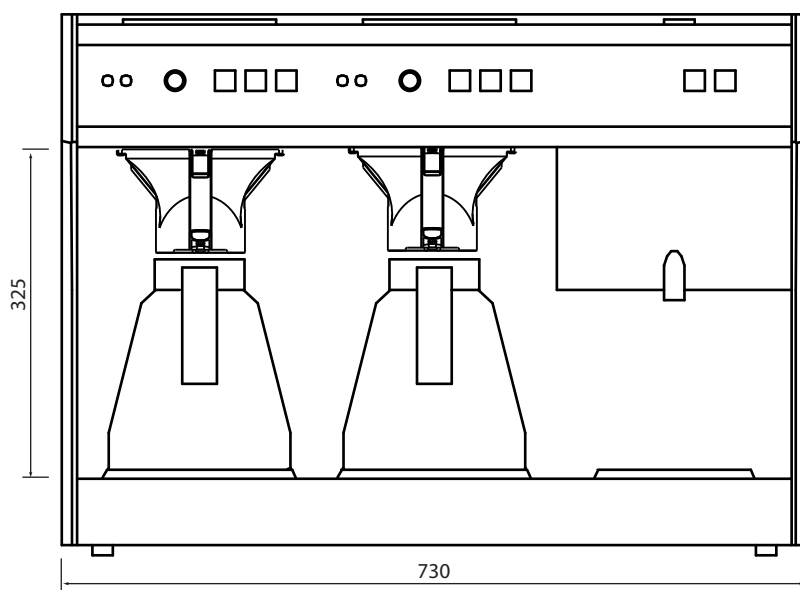
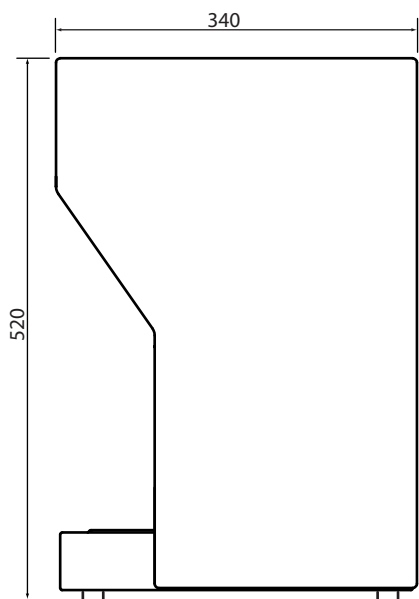
Machine data:

Melitta® M 193 W

Order-No.:	16889
Approx. cups of coffee per hour:	100
Hot water, litres approx.:	15l
Approx. cups of coffee per full brew:	16 / 10
Power consumption in kW:	3.66
Electric connection Volt / Ampère:	230 / 16
Empty weight:	17
Dimensions (WxDxH):	500 x 340 x 520 mm

Please note: All dimensions are approximate!

			Date: 04.05.2010		<p>Melitta® 193 W Dimension and data sheet</p>
			Drawing no.:		
			Page: 1 of 1		
Ind.	Name	Date	Subject to alterations. Owned by Melitta SystemService. Duplication not allowed.		



Machine data:

Melitta® M 197 W

Order-No.:	16890
Approx. cups of coffee per hour:	260
Hot water, litres approx.:	15l
Approx. cups of coffee per full brew:	32 / 7.5
Power consumption in kW:	6.25
Electric connection Volt / Ampère:	400 / 16
Empty weight:	24
Dimensions (WxDxH):	730 x 340 x 520 mm

Please note: All dimensions are approximate!

			Date: 04.05.2010		<p>Melitta® 197 W Dimension and data sheet</p>
			Drawing no.:		
			Page: 1 of 1		
Ind.	Name	Date	Subject to alterations. Owned by Melitta SystemService. Duplication not allowed.		