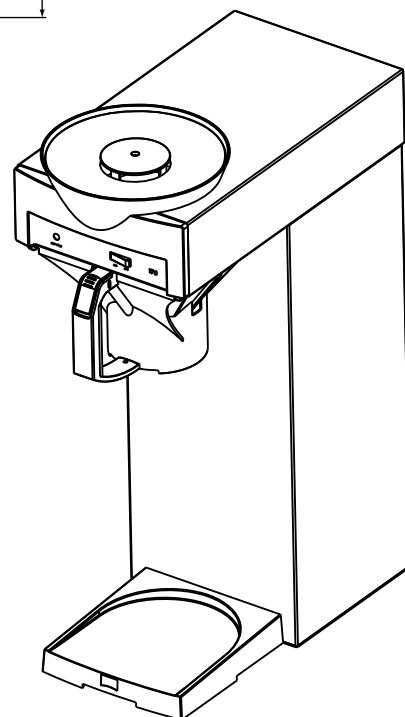
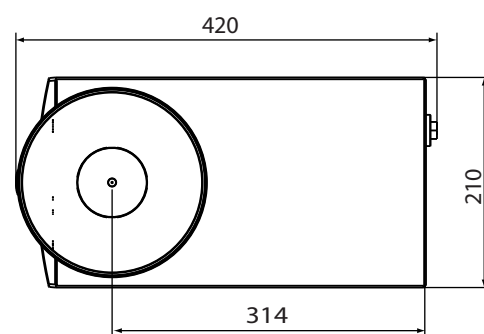
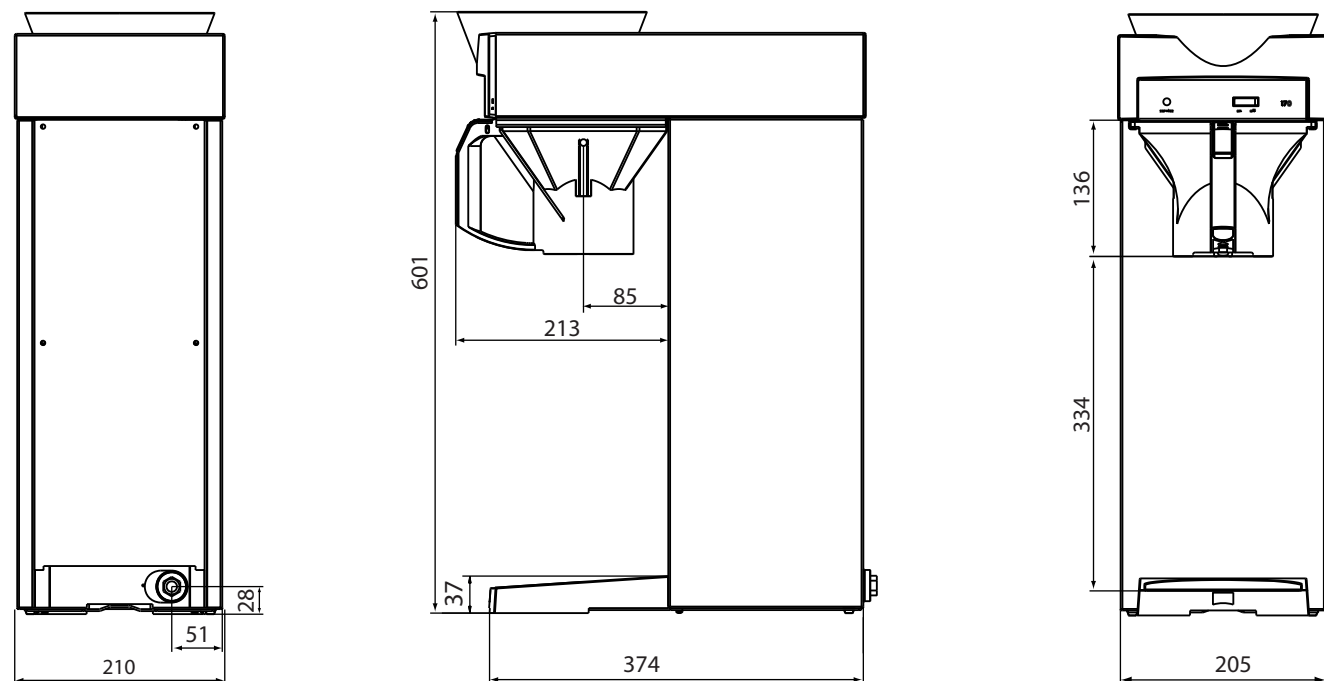


Melitta® 170 MT



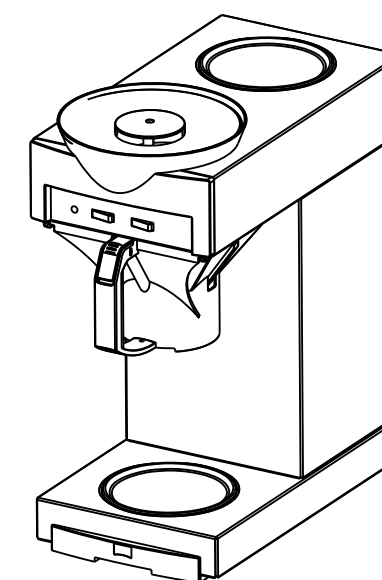
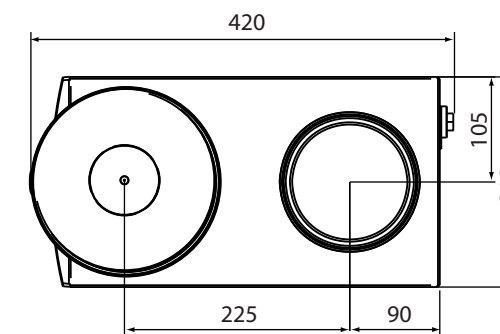
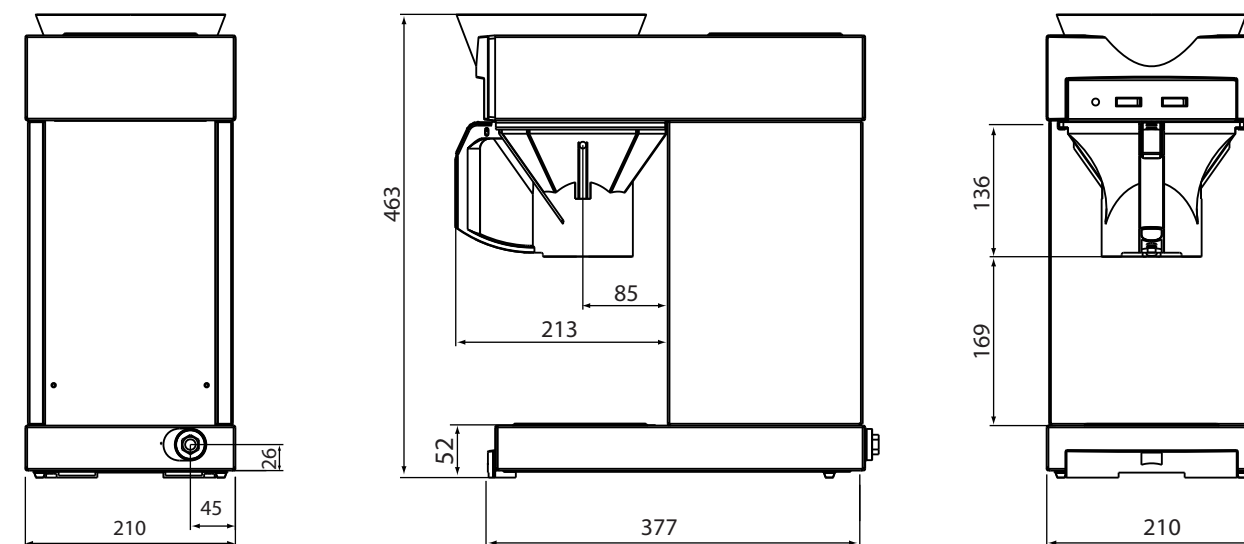
Machine data:

Melitta® M 170 MT

Order-No.: 20347
 Approx. cups of coffee per hour: 125
 Approx. cups of coffee per full brew: 14 / 6.5
 Power consumption in kW: 1.88
 Electric connection Volt / Ampère: 230 / 16
 Dimensions (WxDxH): 210 x 420 x 601 mm

Please note: All dimensions are approximate!

Melitta® 170 M



Machine data:

Melitta® M 170 M

Order-No.: 20348
 Approx. cups of coffee per hour: 125
 Approx. cups of coffee per full brew: 14 / 6.5
 Power consumption in kW: 2.025
 Electric connection Volt / Ampère: 230 / 16
 Dimensions (WxDxH): 210 x 420 x 463 mm

			Date: 26.04.2010
			Drawing no.:
			Page: 1 of 1
			Subject to alterations. Owned by Melitta SystemService. Duplication not allowed.
Ind.	Name	Date	



Melitta® 170 M
 Melitta® 170 MT
 Dimension and data sheet